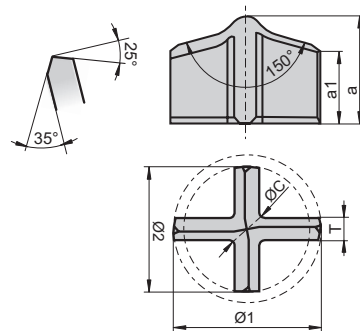



# HAMMER DRILL TIPS – METRIC

CT4..

**Hammer drill tips – METRIC**  
**Hammerbohrerplatten – METRIC**  
**Plaquettes pour mèche marteau – METRIC**  
**Placchette per punte a percussione – METRIC**  
**Puntas de brocas para percusion – METRIC**



Type, description	Ø [mm]	Height a [mm]	Tol. [mm]	Height a1 [mm]	Ø1 [mm]	Tol. [mm]	Ø2 [mm]	Tol. [mm]	ØC (Center) [mm]	T (Thickness) [mm]
<b>CT4..</b>  Conforming to PGM	5.00	4.100	±0.10	0.950	5.285	±0.075	5.085	±0.075	1.590	0.950
	6.00	4.850	±0.10	0.950	6.285	±0.075	6.085	±0.075	1.960	1.150
	6.50	5.200	±0.10	0.950	6.725	±0.075	6.525	±0.075	1.960	1.150
	7.00	5.550	±0.10	0.950	7.285	±0.075	7.085	±0.075	1.960	1.150
	8.00	5.650	±0.15	0.950	8.285	±0.075	8.085	±0.075	2.610	1.550
	10.00	7.050	±0.15	0.950	10.300	±0.090	10.000	±0.090	2.890	1.750
	12.00	8.500	±0.15	1.150	12.340	±0.090	12.040	±0.090	3.250	1.950
	14.00	9.900	±0.15	1.150	14.355	±0.105	14.055	±0.105	3.500	2.125
16.00	9.650	±0.15	1.350	16.355	±0.105	16.055	±0.105	4.090	2.425	

Product portfolio to be further extended in 2016.