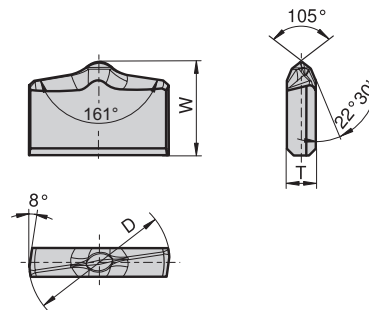



**Hammer drill tips – METRIC**  
**Hammerbohrerplatten – METRIC**  
**Plaquettes pour mèche marteau – METRIC**  
**Plachcette per punte a percussione – METRIC**  
**Puntas de brocas para percusion – METRIC**



| Type, description  | Ø [mm] | D [mm] | Tol. [mm] | W [mm] | Tol. [mm] | T [mm] | Tol. [mm] |
|--|--------|--------|-----------|--------|-----------|--------|-----------|
| <br>Conforming to PGM | 4.00   | 4.285  | ±0.075    | 4.15   | ±0.10     | 0.950  | ±0.05     |
|  | 5.00   | 5.285  | ±0.075    | 4.65   | ±0.10     | 1.350  | ±0.05     |
|  | 5.50   | 5.785  | ±0.075    | 4.95   | ±0.10     | 1.350  | ±0.05     |
|  | 6.00   | 6.285  | ±0.075    | 4.85   | ±0.10     | 1.550  | ±0.05     |
|  | 6.50   | 6.725  | ±0.075    | 5.30   | ±0.10     | 1.550  | ±0.05     |
|  | 7.00   | 7.285  | ±0.075    | 5.35   | ±0.10     | 1.550  | ±0.05     |
|  | 8.00   | 8.285  | ±0.075    | 5.95   | ±0.15     | 1.950  | ±0.05     |
|  | 8.50   | 8.740  | ±0.09     | 6.30   | ±0.15     | 1.950  | ±0.05     |
|  | 9.00   | 9.300  | ±0.09     | 6.30   | ±0.15     | 1.950  | ±0.05     |
|  | 10.00  | 10.300 | ±0.09     | 6.85   | ±0.15     | 2.125  | ±0.075    |
|  | 10.50  | 10.800 | ±0.09     | 7.30   | ±0.15     | 2.125  | ±0.075    |
|  | 11.00  | 11.340 | ±0.09     | 7.70   | ±0.15     | 2.125  | ±0.075    |
|  | 12.00  | 12.340 | ±0.09     | 8.25   | ±0.15     | 2.425  | ±0.075    |
|  | 13.00  | 13.355 | ±0.105    | 8.70   | ±0.15     | 2.725  | ±0.075    |
|  | 14.00  | 14.355 | ±0.105    | 8.95   | ±0.15     | 2.925  | ±0.075    |
|  | 15.00  | 15.355 | ±0.105    | 9.35   | ±0.15     | 2.925  | ±0.075    |
|  | 16.00  | 16.355 | ±0.105    | 9.35   | ±0.15     | 2.925  | ±0.075    |
|  | 17.00  | 17.355 | ±0.105    | 9.35   | ±0.15     | 2.925  | ±0.075    |
|  | 18.00  | 18.355 | ±0.105    | 9.65   | ±0.25     | 3.400  | ±0.10     |
|  | 19.00  | 19.430 | ±0.12     | 10.40  | ±0.25     | 3.400  | ±0.10     |
|  | 20.00  | 20.430 | ±0.12     | 11.25  | ±0.25     | 3.400  | ±0.10     |
|  | 22.00  | 22.380 | ±0.12     | 12.30  | ±0.25     | 3.900  | ±0.10     |
|  | 23.00  | 23.380 | ±0.12     | 12.30  | ±0.25     | 3.900  | ±0.10     |
|  | 24.00  | 24.380 | ±0.12     | 13.30  | ±0.25     | 4.400  | ±0.10     |
|  | 25.00  | 25.380 | ±0.12     | 13.25  | ±0.25     | 4.400  | ±0.10     |
|  | 26.00  | 26.380 | ±0.12     | 13.25  | ±0.25     | 4.400  | ±0.10     |
|  | 28.00  | 28.380 | ±0.12     | 14.70  | ±0.25     | 4.900  | ±0.10     |
|  | 29.00  | 29.380 | ±0.12     | 14.70  | ±0.25     | 4.900  | ±0.10     |
|  | 30.00  | 30.380 | ±0.12     | 14.70  | ±0.25     | 4.900  | ±0.10     |
|  | 32.00  | 32.520 | ±0.15     | 16.80  | ±0.25     | 5.400  | ±0.10     |
|  | 35.00  | 35.520 | ±0.15     | 18.00  | ±0.25     | 5.900  | ±0.10     |
|  | 36.00  | 36.520 | ±0.15     | 18.25  | ±0.25     | 5.900  | ±0.10     |
| 38.00  | 38.570 | ±0.20  | 18.25     | ±0.25  | 5.900     | ±0.10  |           |
| 40.00  | 40.545 | ±0.225 | 19.75     | ±0.25  | 6.400     | ±0.10  |           |
| 42.00  | 42.545 | ±0.225 | 19.25     | ±0.25  | 6.400     | ±0.10  |           |
| 44.00  | 44.545 | ±0.225 | 20.75     | ±0.25  | 6.900     | ±0.10  |           |
| 45.00  | 45.545 | ±0.225 | 20.75     | ±0.25  | 6.900     | ±0.10  |           |
| 50.00  | 50.635 | ±0.265 | 22.75     | ±0.25  | 6.900     | ±0.10  |           |
| 52.00  | 52.635 | ±0.265 | 23.50     | ±0.25  | 6.900     | ±0.10  |           |

Codification code example: 46000- 4.0 CTM17-BC