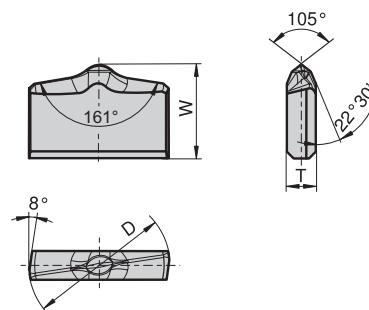


Hammer drill tips – JAPAN
Hammerbohrerplatten – JAPAN
Plaquettes pour mèche marteau – JAPAN
Placchette per punte a percussione – JAPAN
Puntas de brocas para percusion – JAPAN



Type, description	Ø [mm]	D [mm]	Tol. [mm]	W [mm]	Tol. [mm]	T [mm]	Tol. [mm]
47500..	3.4	3.500	±0.10	3.75	±0.10	0.950	±0.05
	3.5	3.520	±0.10	3.75	±0.10	0.950	±0.05
	3.8	3.900	±0.10	3.75	±0.10	0.950	±0.05
	4.0	4.100	±0.10	3.95	±0.10	0.950	±0.05
	4.3	4.400	±0.10	4.15	±0.10	0.950	±0.05
	4.8	4.900	±0.10	4.45	±0.10	0.950	±0.05
	5.0	5.100	±0.10	4.65	±0.10	1.150	±0.05
	5.3	5.400	±0.10	4.65	±0.10	1.150	±0.05
	5.4	5.500	±0.10	4.95	±0.10	1.350	±0.05
	6.0	6.100	±0.10	4.85	±0.10	1.350	±0.05
	6.4	6.525	±0.125	5.15	±0.10	1.350	±0.05
	7.0	7.125	±0.125	5.35	±0.10	1.550	±0.05
	8.0	8.125	±0.125	5.95	±0.15	1.950	±0.05
	9.0	9.125	±0.125	6.30	±0.15	1.925	±0.075
	9.5	9.625	±0.125	6.30	±0.15	1.925	±0.075
	10.0	10.125	±0.125	6.85	±0.15	2.125	±0.075
	10.5	10.650	±0.15	7.30	±0.15	2.125	±0.075
	11.0	11.150	±0.15	7.70	±0.15	2.125	±0.075
	12.0	12.150	±0.15	8.25	±0.15	2.425	±0.075
	12.5	12.650	±0.15	8.25	±0.15	2.425	±0.075
	12.7	12.850	±0.15	8.25	±0.15	2.425	±0.075
	13.5	13.650	±0.15	8.70	±0.15	2.725	±0.075
	14.3	14.450	±0.15	8.95	±0.15	2.925	±0.075
	14.5	14.650	±0.15	8.95	±0.15	2.925	±0.075
	15.0	15.150	±0.15	9.35	±0.25	2.925	±0.075
	16.0	16.150	±0.15	9.35	±0.25	2.925	±0.075
16.5	16.650	±0.15	9.35	±0.25	2.925	±0.075	
17.0	17.150	±0.15	9.35	±0.25	2.925	±0.075	
17.5	17.650	±0.15	9.35	±0.25	2.925	±0.075	
18.0	18.175	±0.175	9.65	±0.25	3.400	±0.10	
19.0	19.175	±0.175	10.40	±0.25	3.400	±0.10	
20.0	20.175	±0.175	11.25	±0.25	3.400	±0.10	
21.5	21.675	±0.175	12.15	±0.25	3.900	±0.10	
22.0	22.175	±0.175	12.30	±0.25	3.900	±0.10	

Codification code example: 47500- 3.4 CTM17-BC