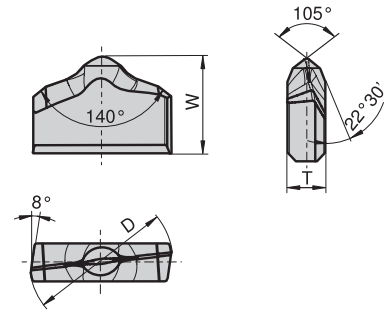



# HAMMER DRILL TIPS – METRIC & ANSI

50850..

**Hammer drill tips – METRIC**  
**Hammerbohrerplatten – METRIC**  
**Plaquettes pour mèche marteau – METRIC**  
**Plachcette per punte a percussione – METRIC**  
**Puntas de brocas para percusion – METRIC**

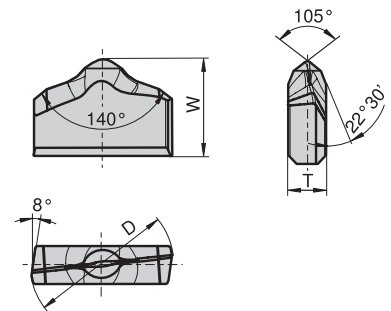
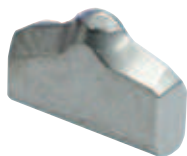


METRIC 50850.., ANSI 50850..

Type, description	Ø [mm]	D [mm]	Tol. [mm]	W [mm]	Tol. [mm]	T [mm]	Tol. [mm]
 Conforming to PGM	4.0	4.285	±0.075	3.60	±0.10	1.350	±0.05
	5.0	5.285	±0.075	4.10	±0.10	1.550	±0.05
	5.5	5.785	±0.075	4.50	±0.10	1.550	±0.05
	6.0	6.285	±0.075	4.90	±0.10	1.750	±0.05
	6.5	6.785	±0.075	5.30	±0.10	1.750	±0.05
	7.0	7.285	±0.075	5.70	±0.15	1.950	±0.05
	8.0	8.285	±0.075	5.75	±0.15	2.250	±0.05
	10.0	10.300	±0.090	7.15	±0.15	2.425	±0.075
	12.0	12.340	±0.090	8.55	±0.15	2.725	±0.075
	20.0	20.430	±0.120	12.25	±0.25	3.900	±0.100

HAMMER DRILL TIPS

**Hammer drill tips – ANSI**  
**Hammerbohrerplatten – ANSI**  
**Plaquettes pour mèche marteau – ANSI**  
**Plachcette per punte a percussione – ANSI**  
**Puntas de brocas para percusion – ANSI**



Type, description	Ø [inch]	D [mm]	Tol. [mm]	W [mm]	Tol. [mm]	T [mm]	Tol. [mm]
50850..	5/32"	4.265	±0.075	3.60	±0.10	1.350	±0.05
	3/16"	5.130	±0.100	4.10	±0.10	1.550	±0.05
	7/32"	5.920	±0.100	4.50	±0.10	1.550	±0.05
	5/16"	8.410	±0.100	5.75	±0.15	2.250	±0.05

Codification code example: 50850- 4.0 CTM17-BC