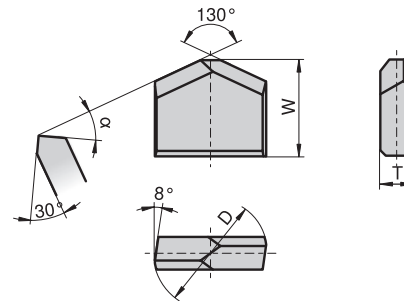



**Hammer drill tips – METRIC**  
**Hammerbohrerplatten – METRIC**  
**Plaquettes pour mèche marteau – METRIC**  
**Plachcette per punte a percussione – METRIC**  
**Puntas de brocas para percusion – METRIC**



Type, description	Ø [mm]	D [mm]	Tol. [mm]	W [mm]	Tol. [mm]	T [mm]	Tol. [mm]	α
<b>11384...</b>  Conforming to PGM	4.0	4.21	+0.15	4.5	+0.20	1.0	-0.10	20°
	5.0	5.21	+0.15	5.0	+0.20	1.2	-0.10	20°
	5.5	5.71	+0.15	5.3	+0.20	1.4	-0.10	20°
	6.0	6.21	+0.15	5.3	+0.20	1.4	-0.10	20°
	6.5	6.65	+0.15	5.8	+0.20	1.4	-0.10	20°
	7.0	7.21	+0.15	5.8	+0.20	1.6	-0.10	20°
	8.0	8.21	+0.15	6.5	+0.30	2.0	-0.10	20°
	8.5	8.65	+0.18	6.9	+0.30	2.0	-0.10	20°
	9.0	9.21	+0.18	6.9	+0.30	2.0	-0.15	20°
	10.0	10.21	+0.18	7.5	+0.30	2.2	-0.15	20°
	10.5	10.71	+0.18	8.0	+0.30	2.2	-0.15	20°
	11.0	11.25	+0.18	8.5	+0.30	2.2	-0.15	20°
	12.0	12.25	+0.18	9.0	+0.30	2.5	-0.15	20°
	13.0	13.25	+0.21	9.5	+0.30	2.8	-0.15	30°
	14.0	14.25	+0.21	9.8	+0.30	3.0	-0.15	30°
	15.0	15.25	+0.21	10.5	+0.50	3.0	-0.15	30°
	16.0	16.25	+0.21	10.5	+0.50	3.0	-0.15	30°
	17.0	17.25	+0.21	10.5	+0.50	3.0	-0.15	30°
	18.0	18.25	+0.21	11.0	+0.50	3.5	-0.20	30°
	19.0	19.31	+0.24	12.0	+0.50	3.5	-0.20	30°
	20.0	20.31	+0.24	13.0	+0.50	3.5	-0.20	30°
	22.0	22.26	+0.24	14.0	+0.50	4.0	-0.20	30°
	23.0	23.26	+0.24	14.0	+0.50	4.0	-0.20	30°
	24.0	24.26	+0.24	15.0	+0.50	4.5	-0.20	30°
	25.0	25.26	+0.24	15.0	+0.50	4.5	-0.20	30°
	26.0	26.26	+0.24	15.0	+0.50	4.5	-0.20	30°
	28.0	28.26	+0.24	17.0	+0.50	5.0	-0.20	30°
	29.0	29.26	+0.24	17.0	+0.50	5.0	-0.20	30°
	30.0	30.26	+0.24	17.0	+0.50	5.0	-0.20	30°
	32.0	32.37	+0.30	19.0	+0.50	5.5	-0.20	30°
	35.0	35.37	+0.30	20.5	+0.50	6.0	-0.20	30°
	36.0	36.37	+0.30	21.0	+0.50	6.0	-0.20	30°
37.0	37.27	+0.40	21.0	+0.50	6.0	-0.20	30°	
38.0	38.37	+0.40	21.0	+0.50	6.0	-0.20	30°	
40.0	40.32	+0.45	23.0	+0.50	6.5	-0.20	30°	
42.0	42.32	+0.45	24.0	+0.50	6.5	-0.20	30°	
44.0	44.32	+0.45	24.0	+0.50	7.0	-0.20	30°	
45.0	45.32	+0.45	24.5	+0.50	7.0	-0.20	30°	
50.0	50.37	+0.55	26.0	+0.50	7.0	-0.20	30°	
52.0	52.37	+0.55	26.0	+0.50	7.0	-0.20	30°	

Codification code example: 11384- 4.0 CTM17-BC