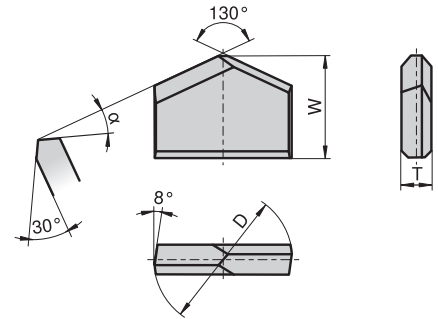


HAMMER DRILL TIPS – ANSI

17871..

Hammer drill tips – ANSI
Hammerbohrerplatten – ANSI
Plaquettes pour mèche marteau – ANSI
Placchette per punte a percussione – ANSI
Puntas de brocas para percusion – ANSI



Type, description	Ø [inch]	ANSI code	D [inch]	Tol. [inch]	W [inch]	Tol. [inch]	T [inch]	Tol. [inch]	α
17871..	1/8"	HDG 2	0.140	-0.006	0.165	+0.010	0.035	-0.004	20°
	5/32"	HDG 2.5	0.171	-0.006	0.177	+0.008	0.039	-0.004	20°
	11/64"	HDG 2.75	0.187	-0.006	0.197	+0.008	0.047	-0.004	20°
	3/16"	HDG 3	0.206	-0.008	0.197	+0.008	0.047	-0.004	20°
	13/64"	HDG 3.25	0.221	-0.008	0.220	+0.008	0.047	-0.004	20°
	7/32"	HDG 3.5	0.237	-0.008	0.220	+0.008	0.055	-0.004	20°
	15/64"	HDG 3.75	0.252	-0.008	0.220	+0.008	0.055	-0.004	20°
	1/4"	HDG 4	0.268	-0.008	0.220	+0.008	0.055	-0.004	20°
	17/64"	HDG 4.24	2.877	-0.008	0.256	+0.008	0.063	-0.004	20°
	9/32"	HDG 4.5	0.304	-0.008	0.256	+0.008	0.063	-0.004	20°
	5/16"	HDG 5	0.335	-0.008	0.256	+0.008	0.078	-0.004	20°
	3/8"	HDG 6	0.398	-0.008	0.295	+0.008	0.086	-0.006	20°
	7/16"	HDG 7	0.468	-0.010	0.334	+0.008	0.086	-0.006	20°
	1/2"	HDG 8	0.530	-0.010	0.374	+0.008	0.110	-0.006	30°
	9/16"	HDG 9	0.592	-0.010	0.374	+0.008	0.118	-0.006	30°
	5/8"	HDG 10	0.660	-0.010	0.413	+0.008	0.118	-0.006	30°
	11/16"	HDG 11	0.723	-0.010	0.433	+0.008	0.137	-0.008	30°
	3/4"	HDG 12	0.787	-0.012	0.512	+0.008	0.137	-0.008	30°
	13/16"	HDG 13	0.849	-0.012	0.512	+0.008	0.137	-0.008	30°
	27/32"	HDG 13.5	0.881	-0.012	0.551	+0.008	0.157	-0.008	30°
	7/8"	HDG 14	0.917	-0.012	0.551	+0.008	0.157	-0.008	30°
	15/16"	HDG 15	0.980	-0.012	0.590	+0.008	0.177	-0.008	30°
	1"	HDG 16	1.042	-0.012	0.590	+0.008	0.177	-0.008	30°
	1 1/8"	HDG 18	1.175	-0.015	0.669	+0.008	0.196	-0.008	30°
1 1/4"	HDG 20	1.300	-0.015	0.748	+0.008	0.216	-0.008	30°	
1 3/8"	HDG 22	1.425	-0.015	0.748	+0.008	0.216	-0.008	30°	
1 1/2"	HDG 24	1.550	-0.015	0.827	+0.008	0.236	-0.008	30°	
2"	-	2.050	-0.020	1.024	+0.020	0.276	-0.008	30°	

ANSI 17871..

HAMMER DRILL TIPS

Codification code example: 17871- 1/8" CTM17-BC