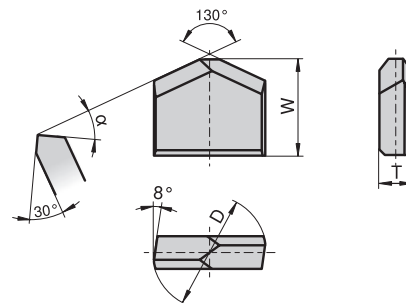


# HAMMER DRILL TIPS – METRIC

14444..., 38500..., 38911..

**Hammer drill tips – METRIC**  
**Hammerbohrerplatten – METRIC**  
**Plaquettes pour mèche marteau – METRIC**  
**Placchette per punta a percussione – METRIC**  
**Puntas de brocas para percusion – METRIC**



Type, description	Ø [mm]	D [mm]	Tol. [mm]	W [mm]	Tol. [mm]	T [mm]	Tol. [mm]	α
14444..	4.0	4.20	+0.10	5.0	+0.20	1.4	-0.10	30°
	5.0	5.21	+0.15	5.0	+0.20	1.6	-0.10	30°
	5.5	5.71	+0.15	5.3	+0.20	1.8	-0.10	30°
	6.0	6.21	+0.15	5.3	+0.20	1.8	-0.10	30°
	6.5	6.71	+0.15	5.8	+0.20	1.8	-0.10	30°
	7.0	7.21	+0.15	6.0	+0.20	2.0	-0.10	30°
	8.0	8.21	+0.15	6.5	+0.30	2.3	-0.10	30°



Type, description	Ø [mm]	D [mm]	Tol. [mm]	W [mm]	Tol. [mm]	T [mm]	Tol. [mm]	α
38500..	3.0	3.15	+0.10	3.5	+0.20	0.8	-0.10	30°
	3.5	3.65	+0.15	3.5	+0.20	1.2	-0.10	30°
	4.5	4.65	+0.15	5.0	+0.20	1.4	-0.10	30°



Type, description	Ø [mm]	D [mm]	Tol. [mm]	W [mm]	Tol. [mm]	T [mm]	Tol. [mm]	α
38911..	4.00	4.30	+0.15	5.1	±0.10	1.2	-0.07	20°
	5.00	5.20	+0.15	5.1	±0.10	1.4	-0.07	20°
	6.00	6.25	+0.15	5.4	±0.10	1.6	-0.07	20°

Codification code example: 14444- 4.0 CTM17-BC