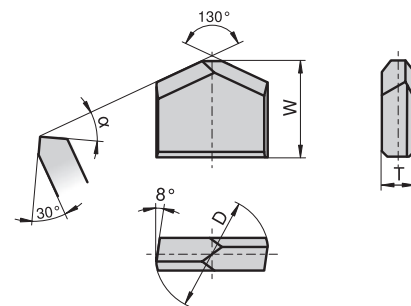


# HAMMER DRILL TIPS – METRIC

39742.., 40429..



**Hammer drill tips – METRIC**  
**Hammerbohrerplatten – METRIC**  
**Plaquettes pour mèche marteau – METRIC**  
**Placchette per punte a percussione – METRIC**  
**Puntas de brocas para percusion – METRIC**



Type, description	∅ [mm]	D [mm]	Tol. [mm]	W [mm]	Tol. [mm]	T [mm]	Tol. [mm]	α
39742..	3.5	3.5	+0.10	4.0	+0.25	0.8	-0.07	20°

METRIC 39742.., 40429..



Type, description	∅ [mm]	D [mm]	Tol. [mm]	W [mm]	Tol. [mm]	T [mm]	Tol. [mm]	α
40429..	3.5	3.5	+0.10	3.5	+0.20	1.2	-0.10	30°

HAMMER DRILL TIPS

Codification code example: 39742- 3.5 CTM17-BC