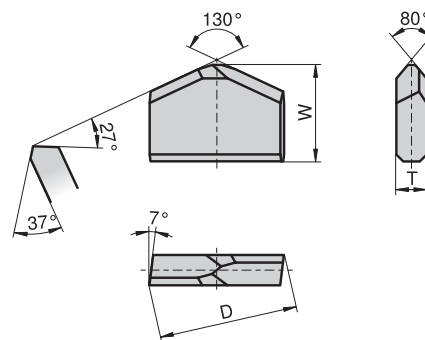



Masonry drill tips – METRIC
Schlagbohrerplatten – METRIC
Plaquettes pour mèche maçonnerie – METRIC
Placchette per punta a forare – METRIC
Puntas de brocas para hormigon – METRIC



| Type, description | Ø [mm] | D [mm] | Tol. [mm] | W [mm] | Tol. [mm] | T [mm] | Tol. [mm] |
|--|--------|---------------|---------------|--------|-----------|--------|-----------|
| 11400..  Conforming to PGM | 3.0 | 3.0 | +0.25 / +0.15 | 3.20 | +0.20 | 0.8 | -0.07 |
| | 4.0 | 4.0 | +0.30 / +0.18 | 3.20 | +0.20 | 1.0 | -0.07 |
| | 4.5 | 4.5 | +0.30 / +0.18 | 3.60 | +0.20 | 1.0 | -0.07 |
| | 5.0 | 5.0 | +0.30 / +0.18 | 4.00 | +0.20 | 1.2 | -0.07 |
| | 5.5 | 5.5 | +0.30 / +0.18 | 4.40 | +0.20 | 1.2 | -0.07 |
| | 6.0 | 6.0 | +0.30 / +0.18 | 4.80 | +0.20 | 1.4 | -0.10 |
| | 6.5 | 6.5 | +0.30 / +0.18 | 5.20 | +0.20 | 1.4 | -0.10 |
| | 7.0 | 7.0 | +0.36 / +0.21 | 5.60 | +0.20 | 1.6 | -0.10 |
| | 7.5 | 7.5 | +0.36 / +0.21 | 6.00 | +0.30 | 1.6 | -0.10 |
| | 8.0 | 8.0 | +0.36 / +0.21 | 5.60 | +0.30 | 1.8 | -0.10 |
| | 9.0 | 9.0 | +0.36 / +0.21 | 6.30 | +0.30 | 2.0 | -0.10 |
| | 9.5 | 9.5 | +0.36 / +0.21 | 6.70 | +0.30 | 2.0 | -0.10 |
| | 10.0 | 10.0 | +0.36 / +0.21 | 6.80 | +0.30 | 2.2 | -0.15 |
| | 11.0 | 11.0 | +0.43 / +0.23 | 7.70 | +0.30 | 2.2 | -0.15 |
| | 12.0 | 12.0 | +0.43 / +0.23 | 8.20 | +0.30 | 2.5 | -0.15 |
| | 13.0 | 13.0 | +0.43 / +0.23 | 8.90 | +0.30 | 2.5 | -0.15 |
| | 14.0 | 14.0 | +0.43 / +0.23 | 9.50 | +0.30 | 2.8 | -0.18 |
| | 16.0 | 16.0 | +0.43 / +0.23 | 9.60 | +0.50 | 3.0 | -0.18 |
| | 18.0 | 18.0 | +0.43 / +0.23 | 10.50 | +0.50 | 3.0 | -0.18 |
| | 20.0 | 20.0 | +0.52 / +0.24 | 11.65 | +0.50 | 3.5 | -0.20 |
| 22.0 | 22.0 | +0.52 / +0.24 | 12.50 | +0.50 | 3.5 | -0.20 | |
| 25.0 | 25.0 | +0.52 / +0.24 | 13.80 | +0.50 | 4.0 | -0.20 | |
| 28.0 | 28.0 | +0.52 / +0.24 | 15.00 | +0.50 | 4.5 | -0.20 | |
| 32.0 | 32.0 | +0.52 / +0.24 | 17.00 | +0.50 | 5.0 | -0.20 | |
| 35.0 | 35.0 | +0.52 / +0.24 | 18.60 | +0.50 | 5.5 | -0.20 | |