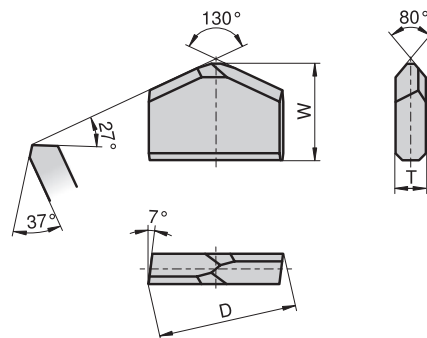


MASONRY DRILL TIPS – ANSI

46973..



Masonry drill tips – ANSI
Schlagbohrerplatten – ANSI
Plaquettes pour mèche maçonnerie – ANSI
Placchette per punte a forare – ANSI
Puntas de brocas para hormigon – ANSI



Type, description	Ø [inch]	D [mm]	Tol. [mm]	W		T	
				[mm]	Tol. [mm]	[mm]	Tol. [mm]
46973..	1/8"	3.475	±0.075	4.285	±0.125	0.855	±0.035
	3/16"	5.130	±0.100	5.125	±0.125	1.115	±0.035
	5/16"	8.400	±0.100	6.725	±0.125	1.485	±0.035
	3/8"	10.000	±0.100	8.245	±0.125	1.945	±0.035
	7/16"	11.755	±0.125	9.710	±0.190	1.945	±0.035
	5/8"	16.635	±0.125	13.140	±0.190	2.260	±0.050
	3/4"	19.830	±0.150	15.370	±0.190	2.260	±0.050
	7/8"	23.140	±0.150	16.700	±0.190	2.260	±0.050
	1"	26.310	±0.150	18.420	±0.190	3.030	±0.050

ANSI 46973..

MASONRY DRILL TIPS

Codification code example: 46973- 1/8" CTF12-BC