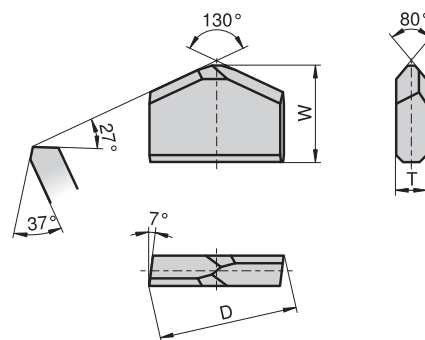


Masonry drill tips – METRIC
Schlagbohrerplatten – METRIC
Plaquettes pour mèche maçonnerie – METRIC
Placchette per punta a forare – METRIC
Puntas de brocas para hormigon – METRIC



Type, description	∅ [mm]	D [mm]	Tol. [mm]	W [mm]	Tol. [mm]	T [mm]	Tol. [mm]
32222..	3.0	3.0	+0.25 / +0.15	3.50	+0.20	0.80	-0.07
	4.0	4.0	+0.30 / +0.18	3.30	+0.20	1.00	-0.07
	5.0	5.0	+0.30 / +0.18	4.20	+0.20	1.20	-0.07
	6.0	6.0	+0.30 / +0.18	4.70	+0.20	1.40	-0.10
	6.5	6.5	+0.30 / +0.18	4.85	+0.20	1.40	-0.10
	7.0	7.0	+0.36 / +0.21	5.15	+0.20	1.60	-0.10
	8.0	8.0	+0.36 / +0.21	5.65	+0.30	1.80	-0.10
	10.0	10.0	+0.36 / +0.21	6.55	+0.30	2.20	-0.15