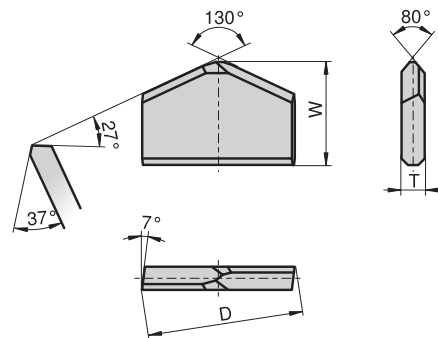


MASONRY DRILL TIPS – METRIC

37071..



Masonry drill tips – METRIC
Schlagbohrerplatten – METRIC
Plaquettes pour mèche maçonnerie – METRIC
Placchette per punte a forare – METRIC
Puntas de brocas para hormigon – METRIC



Type, description	Ø [mm]	D [mm]	Tol. [mm]	W [mm]	Tol. [mm]	T [mm]	Tol. [mm]	α	β	γ
37071..	3.4	3.40	+0.15 / +0.05	4.16	+0.25	0.89	-0.07	20°	30°	9°
	3.5	3.50	+0 / +0.20	4.20	+0.25	1.00	-0.10	20°	30°	9°

METRIC 37071..

MASONRY DRILL TIPS

Codification code example: 37071- 3.4 CTF12-BC