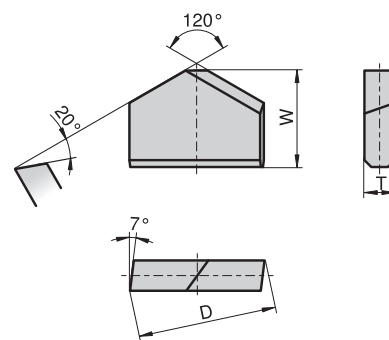
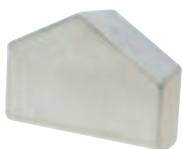



Masonry drill tips – METRIC
Schlagbohrerplatten – METRIC
Plaquettes pour mèche maçonnerie – METRIC
Placchette per punta a forare – METRIC
Puntas de brocas para hormigon – METRIC



Type, description	∅ [mm]	D [mm]	Tol. [mm]	W [mm]	Tol. [mm]	T [mm]	Tol. [mm]
23500...  Conforming to PGM	3.0	3.0	+0.25 / +0.15	3.2	+0.20	0.8	-0.07
	3.5	3.5	+0.25 / +0.15	3.6	+0.20	1.0	-0.07
	4.0	4.0	+0.30 / +0.18	3.2	+0.20	1.0	-0.07
	4.5	4.5	+0.30 / +0.18	3.6	+0.20	1.0	-0.07
	5.0	5.0	+0.30 / +0.18	4.0	+0.20	1.2	-0.07
	5.5	5.5	+0.30 / +0.18	4.4	+0.20	1.2	-0.07
	6.0	6.0	+0.30 / +0.18	4.8	+0.20	1.4	-0.10
	6.5	6.5	+0.30 / +0.18	5.2	+0.20	1.4	-0.10
	7.0	7.0	+0.36 / +0.21	5.6	+0.20	1.6	-0.10
	8.0	8.0	+0.36 / +0.21	5.6	+0.30	1.8	-0.10
	9.0	9.0	+0.36 / +0.21	6.3	+0.30	2.0	-0.10
	10.0	10.0	+0.36 / +0.21	7.0	+0.30	2.2	-0.15
	11.0	11.0	+0.43 / +0.23	7.7	+0.30	2.2	-0.15
	12.0	12.0	+0.43 / +0.23	8.4	+0.30	2.5	-0.15
	13.0	13.0	+0.43 / +0.23	9.1	+0.30	2.5	-0.15
	14.0	14.0	+0.43 / +0.23	9.3	+0.30	2.8	-0.18
	16.0	16.0	+0.43 / +0.23	9.6	+0.50	3.0	-0.18
	18.0	18.0	+0.43 / +0.23	10.50	+0.50	3.0	-0.18
20.0	20.0	+0.52 / +0.25	11.50	+0.50	3.5	-0.20	