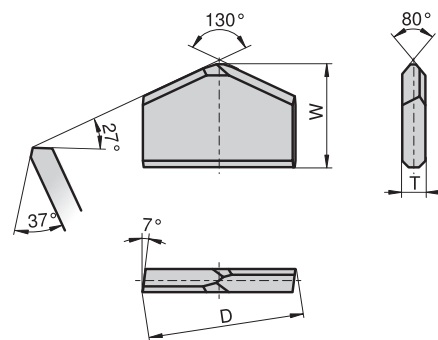



MASONRY DRILL TIPS – METRIC

16000..



Masonry drill tips – METRIC
Schlagbohrerplatten – METRIC
Plaquettes pour mèche maçonnerie – METRIC
Placchette per punte a forare – METRIC
Puntas de brocas para hormigon – METRIC



Type, description	Ø [mm]	D [mm]	Tol. [mm]	W [mm]	Tol. [mm]	T [mm]	Tol. [mm]	α	β	γ
16000..  Conforming to PGM	12.0	12.0	+0.43 / +0.23	8.2	+0.30	1.8	-0.15	27°	37°	7°
	13.0	13.0	+0.43 / +0.23	8.7	+0.30	2.0	-0.15	27°	37°	7°
	14.0	14.0	+0.43 / +0.23	9.3	+0.30	2.1	-0.18	27°	37°	7°
	15.0	15.0	+0.43 / +0.23	9.6	+0.30	2.2	-0.18	27°	37°	7°
	16.0	16.0	+0.43 / +0.23	9.6	+0.50	2.2	-0.18	27°	37°	7°
	17.0	17.0	+0.43 / +0.23	10.5	+0.50	2.2	-0.18	27°	37°	7°
	18.0	18.0	+0.43 / +0.23	10.5	+0.50	2.2	-0.18	27°	37°	7°
	19.0	19.0	+0.43 / +0.23	11.5	+0.50	2.5	-0.18	27°	37°	7°
	20.0	20.0	+0.52 / +0.24	11.5	+0.50	2.5	-0.20	27°	37°	7°
	22.0	22.0	+0.52 / +0.24	12.5	+0.50	2.5	-0.20	27°	37°	7°
	24.0	24.0	+0.52 / +0.24	15.0	+0.50	3.0	-0.20	27°	37°	7°
	25.0	25.0	+0.52 / +0.24	15.0	+0.50	3.0	-0.20	27°	37°	7°
	26.0	26.0	+0.52 / +0.24	15.0	+0.50	3.0	-0.20	27°	37°	7°
	28.0	28.0	+0.52 / +0.24	15.0	+0.50	4.0	-0.20	27°	37°	7°
30.0	30.0	+0.52 / +0.24	16.0	+0.50	4.0	-0.20	27°	37°	7°	

METRIC 16000..

MASONRY DRILL TIPS

Codification code example: 16000- 12.0 CTM17-BC