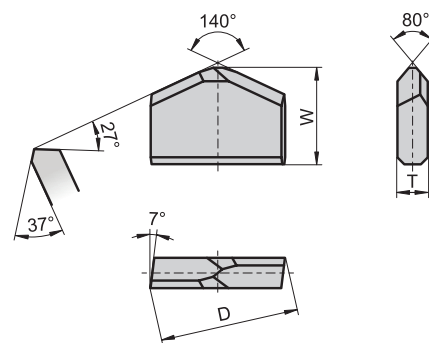


MASONRY DRILL TIPS – METRIC

46716..



Masonry drill tips – METRIC
Schlagbohrerplatten – METRIC
Plaquettes pour mèche maçonnerie – METRIC
Placchette per punte a forare – METRIC
Puntas de brocas para hormigon – METRIC



Type, description	Ø [mm]	D [mm]	Tol. [mm]	W [mm]	Tol. [mm]	T [mm]	Tol. [mm]
46716..	6.0	6.240	±0.060	3.90	±0.10	1.050	±0.050
	6.5	6.740	±0.060	4.40	±0.10	1.050	±0.050
	8.0	8.285	±0.075	5.15	±0.15	1.125	±0.050
	10.0	10.285	±0.075	5.55	±0.15	1.325	±0.075

METRIC 46716..

MASONRY DRILL TIPS

Codification code example: 46716- 6.0 CTM14-BC