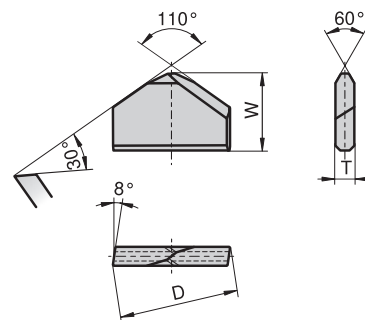
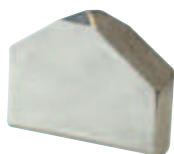



# MASONRY DRILL TIPS – METRIC

## 50210..

**Masonry drill tips – METRIC**  
**Schlagbohrerplatten – METRIC**  
**Plaquettes pour mèche maçonnerie – METRIC**  
**Placchette per punta a forare – METRIC**  
**Puntas de brocas para hormigon – METRIC**



Type, description	Ø [mm]	D [mm]	Tol. [mm]	W [mm]	Tol. [mm]	T [mm]	Tol. [mm]
 Conforming to PGM	4.0	4.0	+0.40 / +0.15	3.40	+0.20	1.0	-0.07
	4.5	4.5	+0.40 / +0.15	3.90	+0.20	1.0	-0.07
	5.0	5.0	+0.40 / +0.15	4.30	+0.20	1.2	-0.07
	5.5	5.5	+0.40 / +0.15	4.70	+0.20	1.2	-0.07
	6.0	6.0	+0.40 / +0.15	5.20	+0.20	1.4	-0.10
	6.5	6.5	+0.40 / +0.15	5.70	+0.20	1.4	-0.10
	7.0	7.0	+0.45 / +0.20	6.10	+0.20	1.6	-0.10
	8.0	8.0	+0.45 / +0.20	6.05	+0.30	1.8	-0.10
	10.0	10.0	+0.45 / +0.20	7.60	+0.30	2.2	-0.15
	12.0	12.0	+0.50 / +0.20	9.35	+0.30	2.0	-0.15
	13.0	13.0	+0.50 / +0.20	10.05	+0.30	2.2	-0.15
	14.0	14.0	+0.50 / +0.20	10.85	+0.30	2.5	-0.18
	16.0	16.0	+0.50 / +0.20	10.90	+0.50	2.5	-0.18
	18.0	18.0	+0.50 / +0.20	12.10	+0.50	3.0	-0.18
	20.0	20.0	+0.55 / +0.20	13.45	+0.50	3.2	-0.20
	22.0	22.0	+0.55 / +0.20	13.70	+0.50	3.5	-0.20
25.0	25.0	+0.55 / +0.20	15.50	+0.50	4.1	-0.20	