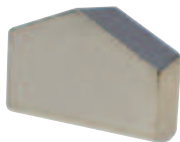
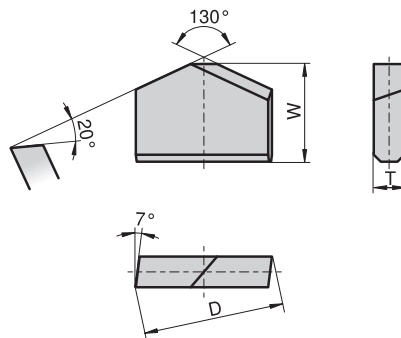


# METAL CUTTING TIPS – METRIC

12500..



**Metal cutting tips – METRIC**  
**Metallbohrerplatten – METRIC**  
**Plaquettes pour coupe métaux – METRIC**  
**Plaquette per punte per lavorazione metalli – METRIC**  
**Puntas de broca para metallo – METRIC**



Type, description	∅ [mm]	D [mm]	Tol. [mm]	W [mm]	Tol. [mm]	T [mm]	Tol. [mm]
12500..  Grade Recommendation: CTS20-BC CTS18D	3.0	3.0	+0.25 / +0.15	3.2	+0.20	0.8	-0.07
	3.5	3.5	+0.25 / +0.15	3.6	+0.20	1.0	-0.07
	4.0	4.0	+0.30 / +0.18	3.2	+0.20	1.0	-0.07
	4.5	4.5	+0.30 / +0.18	3.6	+0.20	1.0	-0.07
	5.0	5.0	+0.30 / +0.18	4.0	+0.20	1.2	-0.07
	5.5	5.5	+0.30 / +0.18	4.4	+0.20	1.2	-0.07
	6.0	6.0	+0.30 / +0.18	4.8	+0.20	1.4	-0.10
	6.5	6.5	+0.30 / +0.18	5.2	+0.20	1.4	-0.10
	7.0	7.0	+0.36 / +0.21	5.6	+0.20	1.6	-0.10
	7.5	7.5	+0.36 / +0.21	6.0	+0.20	1.6	-0.10
	8.0	8.0	+0.36 / +0.21	5.6	+0.30	1.8	-0.10

METRIC 12500..

SPECIAL TIPS

Codification code example: 12500- 3.0 CTS18D