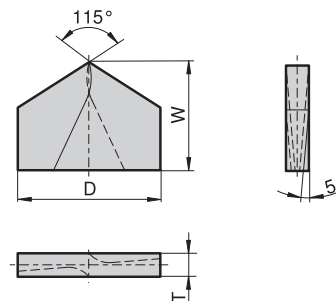


Metal cutting tips – METRIC
Metallbohrerplatten – METRIC
Plaquettes pour coupe métaux – METRIC
Plaquette per punte per lavorazione metalli – METRIC
Puntas de broca para metallo – METRIC



Type, description	Ø [mm]	D [mm]	Tol. [mm]	W [mm]	T [mm]	Tol. [mm]
14818.. Grade Recommendation: CTS20-BC CTS18D	8.0	8.5	+0.5	7.1	1.6	-0.15
	8.5	9.0	+0.5	8.0	2.0	-0.15
	9.0	9.5	+0.5	8.0	2.0	-0.15
	9.5	10.0	+0.5	8.5	2.0	-0.15
	10.0	10.5	+0.5	8.5	2.0	-0.20
	10.5	11.3	+0.5	9.5	2.2	-0.20
	11.0	11.8	+0.5	9.5	2.2	-0.20
	11.5	12.3	+0.6	10.6	2.5	-0.20
	12.0	12.8	+0.6	10.6	2.5	-0.20
	13.0	13.8	+0.6	12.5	2.5	-0.20
	14.0	14.8	+0.7	12.5	2.5	-0.20
	15.0	15.8	+0.7	14.0	2.8	-0.25
	16.0	16.8	+0.7	14.0	2.8	-0.25
	17.0	17.8	+0.7	16.0	3.0	-0.25
	18.0	18.8	+0.7	16.0	3.0	-0.25
	19.0	19.8	+0.7	18.0	3.5	-0.30
	20.0	20.8	+0.8	18.0	3.5	-0.30
	21.0	22.8	+0.8	18.0	3.5	-0.30
	22.0	23.0	+0.8	19.0	4.0	-0.30
23.0	24.0	+0.8	19.0	4.0	-0.30	

Codification code example: 14818- 8.0 CTS18D