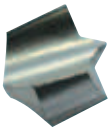


BLANKS FOR WOOD MACHINING DRILL TIPS – METRIC

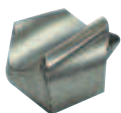
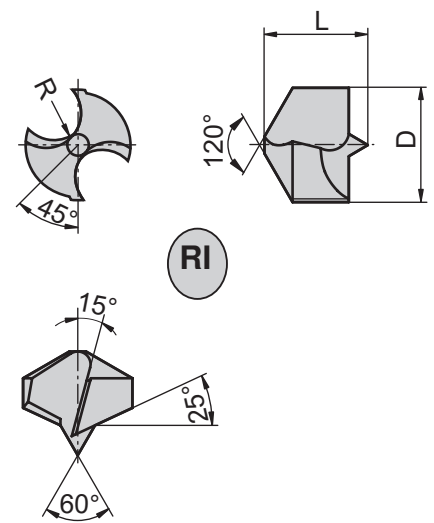
CTDD..RI, CTDD..LE



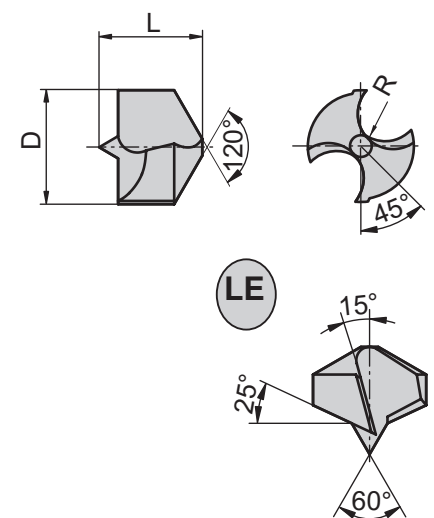
Blanks for wood machining drill tips – METRIC
Rohlinge für Holzbohrer – METRIC
Ébauches pour mèches à bois – METRIC
Placchette per punte per cerniere – METRIC
Preformados para brocas de madeira – METRIC



Type, description	Ø [mm]	D [mm]	x	L [mm]	x	R [mm]
CTDD..RI Grade Recommendation: CTM17-HC CTM18-HC CTS20-HC CTS18D	4.0	4.6	x	6.9	x	1.3
	5.0	5.6	x	7.1	x	1.8
	6.0	6.6	x	7.1	x	2.2
	6.5	7.1	x	7.7	x	2.7
	7.0	7.6	x	7.9	x	2.7
	8.0	8.6	x	9.1	x	3.2
	9.0	9.6	x	10.1	x	3.7
	10.0	10.6	x	11.0	x	4.2
	11.0	11.6	x	11.9	x	4.2
	12.0	12.6	x	12.8	x	4.3
	13.0	13.6	x	13.6	x	4.5
	14.0	14.6	x	14.4	x	4.7
	15.0	15.6	x	15.2	x	5.0
	16.0	16.6	x	16.0	x	5.2
	18.0	18.6	x	16.2	x	5.6
	19.0	19.6	x	17.5	x	6.1
	20.0	20.6	x	19.1	x	6.7



Type, description	Ø [mm]	D [mm]	x	L [mm]	x	R [mm]
CTDD..LE Grade Recommendation: CTM17-HC CTM18-HC CTS20-HC CTS18D	4.0	4.6	x	6.9	x	1.3
	5.0	5.6	x	7.1	x	1.8
	6.0	6.6	x	7.1	x	2.2
	6.5	7.1	x	7.7	x	2.7
	7.0	7.6	x	7.9	x	2.7
	8.0	8.6	x	9.1	x	3.2
	9.0	9.6	x	10.1	x	3.7
	10.0	10.6	x	11.0	x	4.2
	11.0	11.6	x	11.9	x	4.2
	12.0	12.6	x	12.8	x	4.3
	13.0	13.6	x	13.6	x	4.5
	14.0	14.6	x	14.4	x	4.7
	15.0	15.6	x	15.2	x	5.0
	16.0	16.6	x	16.0	x	5.2
	18.0	18.6	x	16.2	x	5.6
	19.0	19.6	x	17.5	x	6.1
	20.0	20.6	x	19.1	x	6.7



Codification code example: CTDD..RI- 4.0 CTS18D