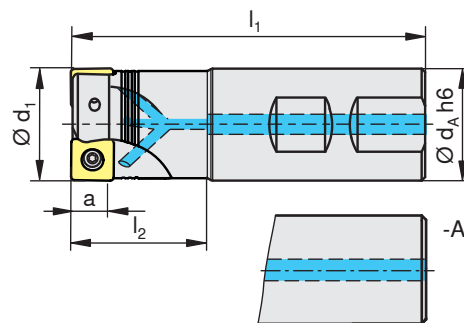
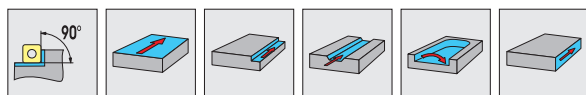


# MaxiMill 491 system

C491-12



$d_1$ [mm]	Type, description	$l_1$ [mm]	$l_2$ [mm]	$d_A$ [mm]	$a$ [mm]	$z$	$n_{max}$ [min <sup>-1</sup> ]	[Nm]		
32	C491.32.R.02-12-A-63-250	250	63	32	8	2	10200	3.2	SNHU 1204..	E01
32	C491.32.R.02-12-B-40	102	40	32	8	2	13600	3.2	SNHU 1204..	E01

E01	11610311	11450867	8095012000