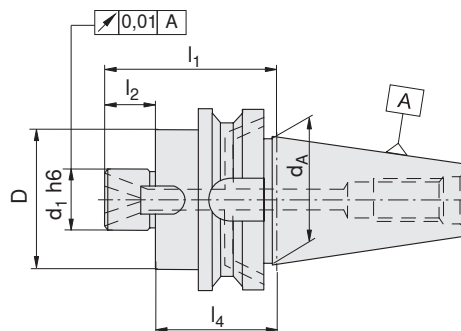
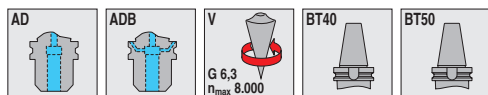


MAS-BT

Shell mill adapters, centre bolt



Type, description	d ₁ [mm]	d _A [mm]	D [mm]	l ₁ [mm]	l ₂ [mm]	l ₄ [mm]	
MAS-BT-ADB40.QA16.52.V	16	40	38	69	17	52	E01
MAS-BT-ADB40.QA16.100.V	16	40	38	117	17	100	E01
MAS-BT-ADB40.QA16.160.V	16	40	38	177	17	160	E01
MAS-BT-ADB40.QA22.52.V	22	40	48	71	19	52	E02
MAS-BT-ADB40.QA22.100.V	22	40	48	119	19	100	E02
MAS-BT-ADB40.QA22.160.V	22	40	48	179	19	160	E02
MAS-BT-ADB40.QA27.52.V	27	40	58	73	21	52	E03
MAS-BT-ADB40.QA27.100.V	27	40	58	121	21	100	E03
MAS-BT-ADB40.QA27.160.V	27	40	58	181	21	160	E03
MAS-BT-ADB40.QA32.50.V	32	40	78	74	24	50	E04
MAS-BT-ADB40.QA32.100.V	32	40	78	124	24	100	E04
MAS-BT-ADB40.QA32.160.V	32	40	78	184	24	160	E04
MAS-BT-ADB40.QA40.50.V	40	40	88	77	27	50	E05
MAS-BT-ADB40.QA40.100.V	40	40	88	127	27	100	E05
MAS-BT-ADB40.QA40.160.V	40	40	88	187	27	160	E05
MAS-BT-AD50.QA16.63.V	16	50	48	80	17	63	E01
MAS-BT-AD50.QA16.100.V	16	50	38	117	17	100	E01
MAS-BT-AD50.QA16.160.V	16	50	38	177	17	160	E01
MAS-BT-AD50.QA22.63.V	22	50	48	82	19	63	E02
MAS-BT-AD50.QA22.100.V	22	50	48	119	19	100	E02
MAS-BT-AD50.QA22.160.V	22	50	48	179	19	160	E02
MAS-BT-AD50-QA27-63	27	50	58	84	21	63	E03
MAS-BT-AD50.QA27.100.V	27	50	58	121	21	100	E03
MAS-BT-AD50.QA27.160.V	27	50	58	181	21	160	E03
MAS-BT-AD50.QA32.60.V	32	50	78	84	24	60	E04
MAS-BT-AD50.QA32.100.V	32	50	78	124	24	100	E04
MAS-BT-AD50.QA32.160.V	32	50	78	184	24	160	E04
MAS-BT-AD50.QA40.60.V	40	50	88	87	27	60	E05
MAS-BT-AD50.QA40.100.V	40	50	88	127	27	100	E05
MAS-BT-AD50.QA40.160.V	40	50	88	187	27	160	E05

E01	8395012000	8395029600	8395011300	8336701600	8336811600
E02	8395012100	8395029700	8395012400	8336702200	8336812200
E03	8395012200	8395013600	8395012500	8336702700	8336812700
E04	8395012300	8395013700	8395012600	8336703200	8336813200
E05	8395029500	8395013800	8395011200	8336704000	8336814000

