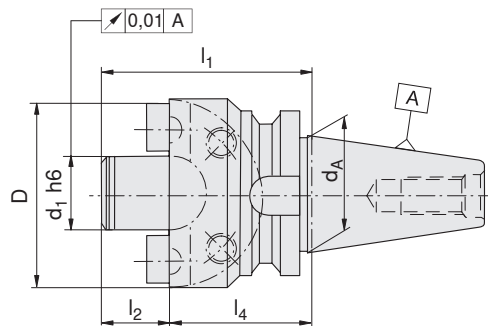
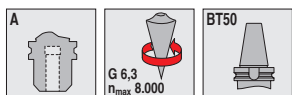


MAS-BT

Shell mill adapters, 4 bolts

G41



Type, description	d ₁ [mm]	d _A [mm]	D [mm]	l ₁ [mm]	l ₂ [mm]	l ₄ [mm]	
MAS-BT-A50-MA40-70	40	50	89	100	30	70	E01
MAS-BT-A50-MA60-80	60	50	129	120	40	80	E02

E01	8395029500	8395013800	8395014000
E02	8395029800		333940 / 8395016000

