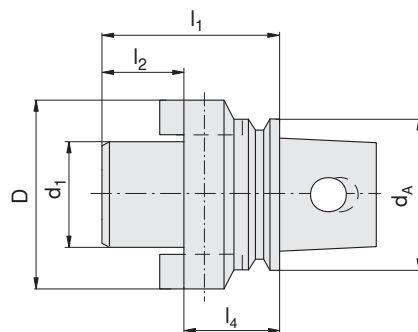
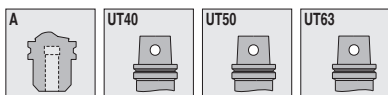


# UTS

Shell mill adapters, centre bolt



Type, description	d <sub>1</sub> [mm]	d <sub>A</sub> [mm]	D [mm]	l <sub>1</sub> [mm]	l <sub>2</sub> [mm]	l <sub>4</sub> [mm]	
UT40-QA16-25IK	16	40	38	42	17	25	E01
UT40-QA22-25IK	22	40	46	44	19	25	E02
UT50-QA22-27IK	22	50	48	46	19	27	E03
UT50-QA32-35IK	32	50	78	59	24	35	E04
UT63-QA16-28-MIY	16	63	38	44	17	28	E05
UT63-QA16-110-MIY	16	63	38	127	17	110	E05
UT63-QA22-36-MIY	22	63	50	46	19	36	E06
UT63-QA22-110-MIY	22	63	50	129	19	110	E06
UT63-QA27-36-MIY	27	63	58	57	21	36	E07
UT63-QA27-36IK	27	63	58	57	21	36	E07
UT63-QA27-110-MIY	27	63	58	131	21	110	E07
UT63-QA32-33-MIY	32	63	78	57	24	33	E08
UT63-QA40-56IK	40	63	88	83	27	56	E09

E01	8395012000	8395029600	333935		194263
E02	8395012100	11210254	333937		194263
E03	8395012100	11210254	333937		225429
E04	8395012300	8395013700	333945		225429
E05	8395012000	8395029600	333935		225430
E06	8395012100	11210254	333937		225430
E07	8395012200	8395013600	333940		225430
E08	8395012300	8395013700	333945		225430
E09	8395029500	8395013800		8336704000	225430

