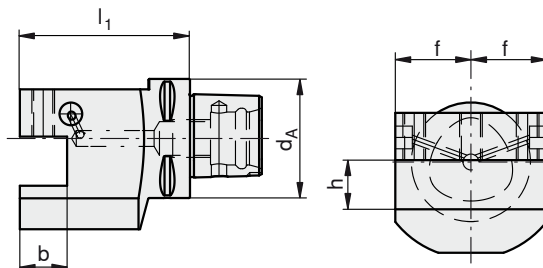
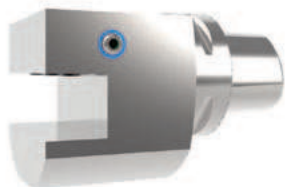
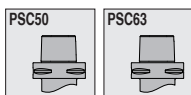
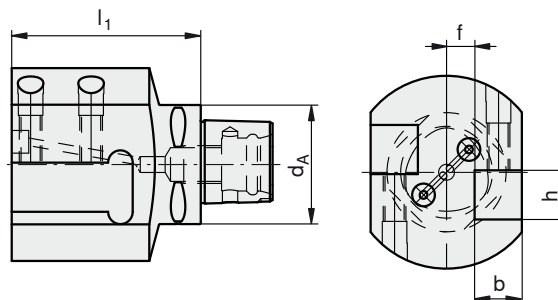
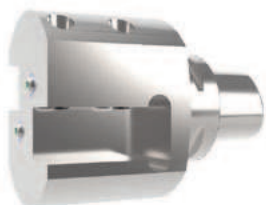
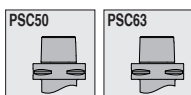


PSC

Tool holders 90° / Double tool holders



Type, description	d _A [mm]	l ₁ [mm]	f [mm]	b [mm]	h [mm]
PSC50-SHN90-2020	50	70	35	20	20
PSC50-SHN90-2525	50	80	40	25	25
PSC50-SHN90-3232	50	90	45	32	32
PSC63-SHN90-2020	63	80	35	20	20
PSC63-SHN90-2525	63	90	40	25	25
PSC63-SHN90-3232	63	100	45	32	32



Type, description	d _A [mm]	l ₁ [mm]	f [mm]	b [mm]	h [mm]
PSC50-SH2L00-2020	50	80	15	20	20
PSC50-SH2R00-2020	50	80	15	20	20
PSC50-SH2L00-2525	50	90	15	25	25
PSC50-SH2R00-2525	50	90	15	25	25
PSC50-SH2L00-3232	50	115	15	32	32
PSC50-SH2R00-3232	50	115	15	32	32
PSC63-SH2L00-2020	63	90	15	20	20
PSC63-SH2R00-2020	63	90	15	20	20
PSC63-SH2L00-2525	63	100	15	25	25
PSC63-SH2R00-2525	63	100	15	25	25
PSC63-SH2L00-3232	63	125	15	32	32
PSC63-SH2R00-3232	63	125	15	32	32

