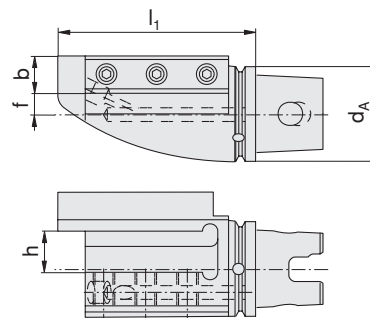
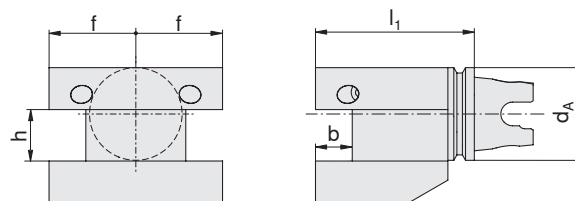


UTS

Single shank holders / Multiple tool holders



Type, description	d _A [mm]	l ₁ [mm]	f [mm]	b [mm]	h [mm]	
UT63-SHR2525-MIY	63	130	13	25	25	E01
UT63-SHL2525-MIY	63	130	13	25	25	E01



Type, description	d _A [mm]	l ₁ [mm]	f [mm]	b [mm]	h [mm]	
UT63-SH4-2020-MIY	63	110	27.8	20	20	E02
UT63-3225-KN	63	108	34	25	32	E03

E01	231176	11106932	225430
E02			225430
E03	231176		225430