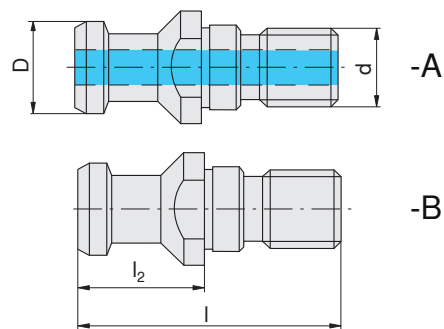
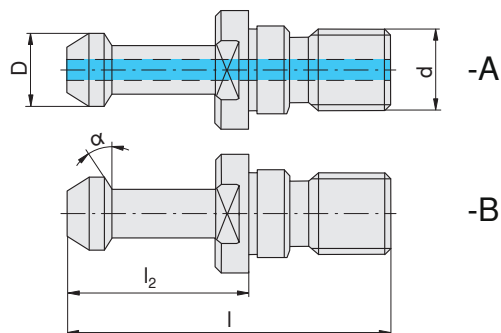


# Pull studs SK / pull studs MAS-BT



Type, description	SK	D [mm]	l <sub>2</sub> [mm]	l [mm]	Thread size
69872-A19	40	23	26	54	M16
69872-A28	50	36	34	74	M24
69872-B19	40	23	26	54	M16
69872-B28	50	36	34	74	M24



Type, description	MAS-BT	α [°]	D [mm]	l <sub>2</sub> [mm]	l [mm]	Thread size
MAS-BT-30-A15	40	30	23	35	60	M16
MAS-BT-30-A23	50	30	38	45	85	M24
MAS-BT-30-B15	40	30	23	35	60	M16
MAS-BT-30-B23	50	30	38	45	85	M24
MAS-BT-45-A15	40	45	23	35	60	M16
MAS-BT-45-A23	50	45	38	45	85	M24
MAS-BT-45-B15	40	45	23	35	60	M16
MAS-BT-45-B23	50	45	38	45	85	M24
MAS-BT-90-A15	40	90	23	35	60	M16
MAS-BT-90-A23	50	90	38	45	85	M24
MAS-BT-90-B15	40	90	23	35	60	M16
MAS-BT-90-B23	50	90	38	45	85	M24