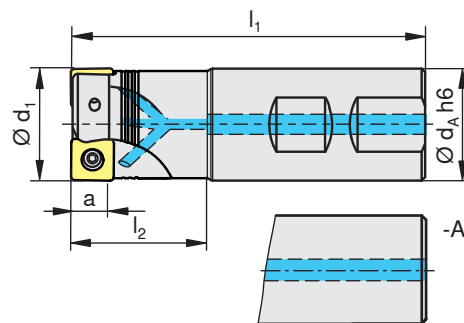
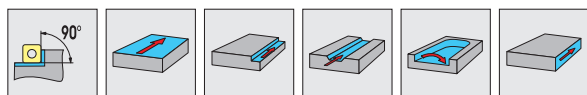


MaxiMill 491 system

C491-12



d_1 [mm]	Type, description	l_1 [mm]	l_2 [mm]	d_A [mm]	a [mm]	z	n_{max} [min ⁻¹]	[Nm]		
32	C491.32.R.02-12-A-63-250	250	63	32	8	2	10200	3.2	SNHU 1204..	E01
32	C491.32.R.02-12-B-40	102	40	32	8	2	13600	3.2	SNHU 1204..	E01

E01	11610311	11450867	8095012000