
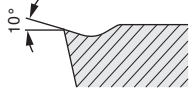





<p>-M20</p> <ul style="list-style-type: none"> o Positive geometry o Universal application o Small to medium feed rates 		Machining conditions		
				
		CTPP430	CTPP430	CTPP430
	f [mm]			
	0,05 - 0,25	CTPP430	CTPP430	CTPP430