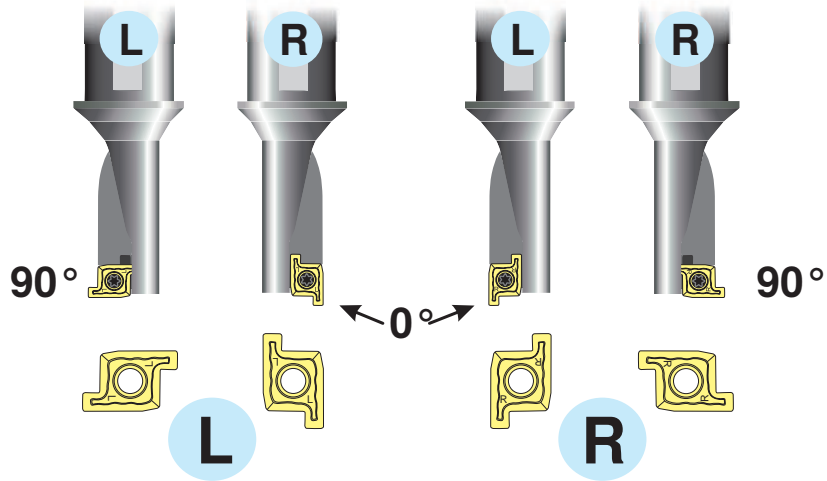


ProfileMaster

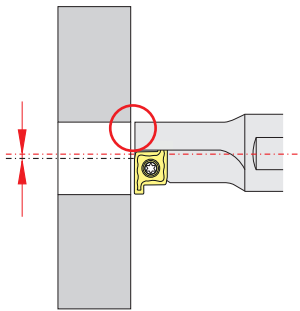
Application

Mounting of the insert

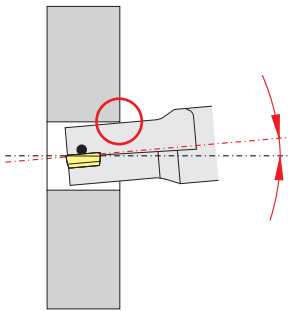


Axial displacement of the machine

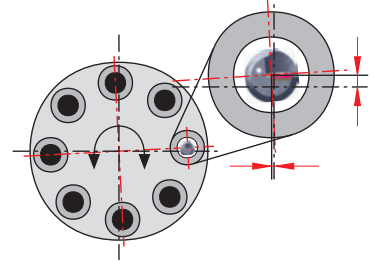
Displacement in x-direction



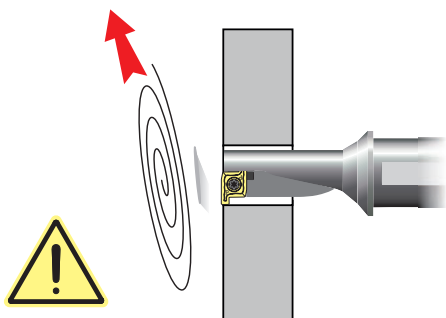
Angular error



Turret position error



Through hole



With through holes a **sharp-edged disk** as tool break-out occurs. Safety measures are necessary.